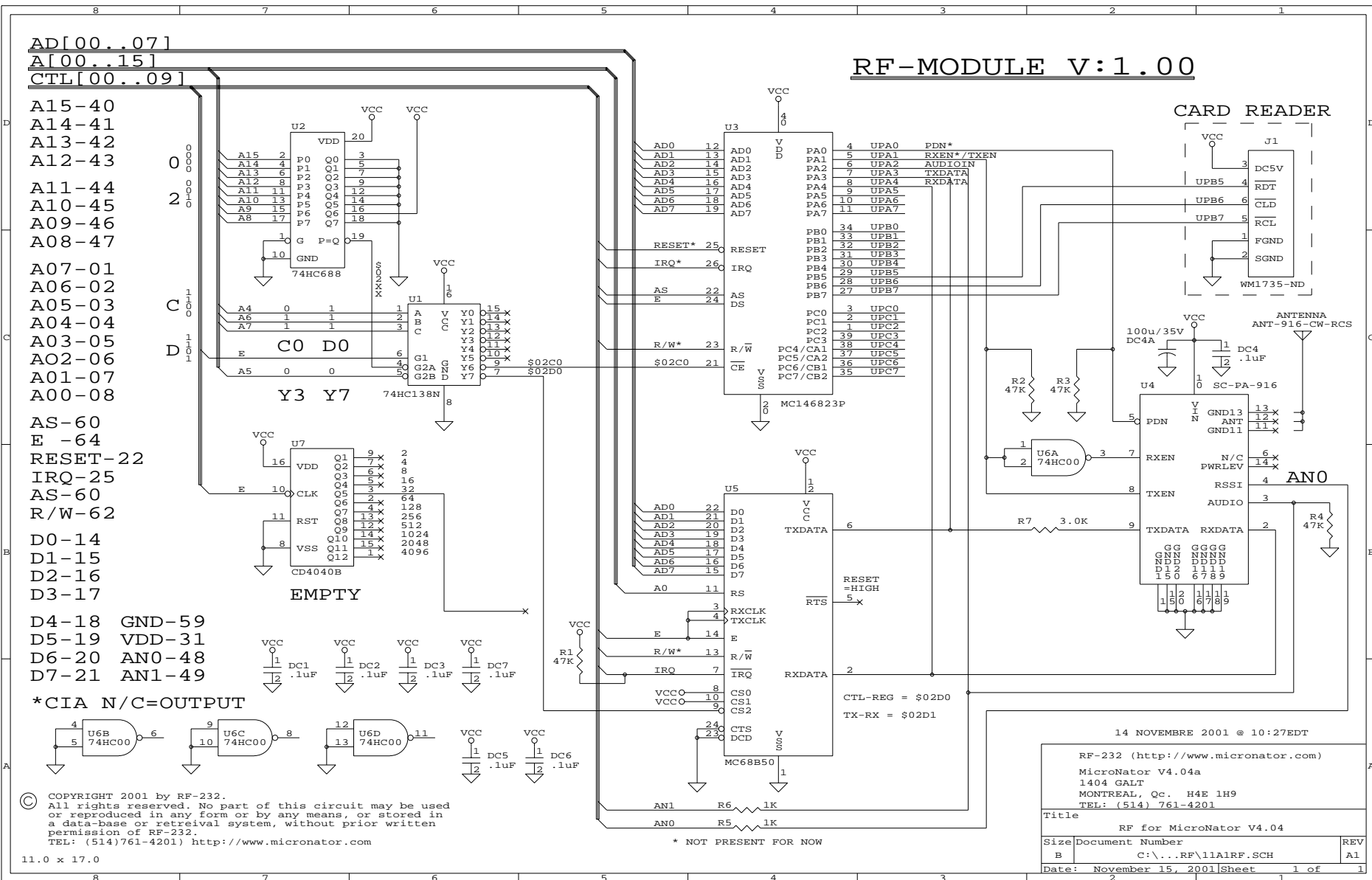
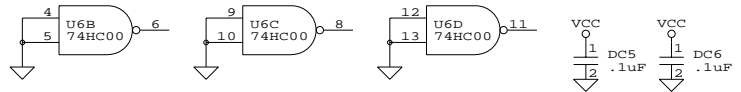


RF-MODULE V:1.00



- AD[00..07]
- A[00..15]
- CTL[00..09]
- A15-40
- A14-41
- A13-42
- A12-43
- A11-44
- A10-45
- A09-46
- A08-47
- A07-01
- A06-02
- A05-03
- A04-04
- A03-05
- A02-06
- A01-07
- A00-08
- AS-60
- E -64
- RESET-22
- IRQ-25
- AS-60
- R/W-62
- D0-14
- D1-15
- D2-16
- D3-17
- D4-18 GND-59
- D5-19 VDD-31
- D6-20 AN0-48
- D7-21 AN1-49

*CIA N/C=OUTPUT



© COPYRIGHT 2001 by RF-232.
 All rights reserved. No part of this circuit may be used or reproduced in any form or by any means, or stored in a data-base or retrieval system, without prior written permission of RF-232.
 TEL: (514)761-4201 http://www.micronator.com

11.0 x 17.0

14 NOVEMBRE 2001 @ 10:27EDT

RF-232 (<http://www.micronator.com>)
 MicroNator V4.04a
 1404 GALT
 MONTREAL, Qc. H4E 1H9
 TEL: (514) 761-4201

Title		RF for MicroNator V4.04
Size	Document Number	REV
B	C:\...\RF\11A1RF.SCH	A1
Date:	November 15, 2001	Sheet 1 of 1

* NOT PRESENT FOR NOW