

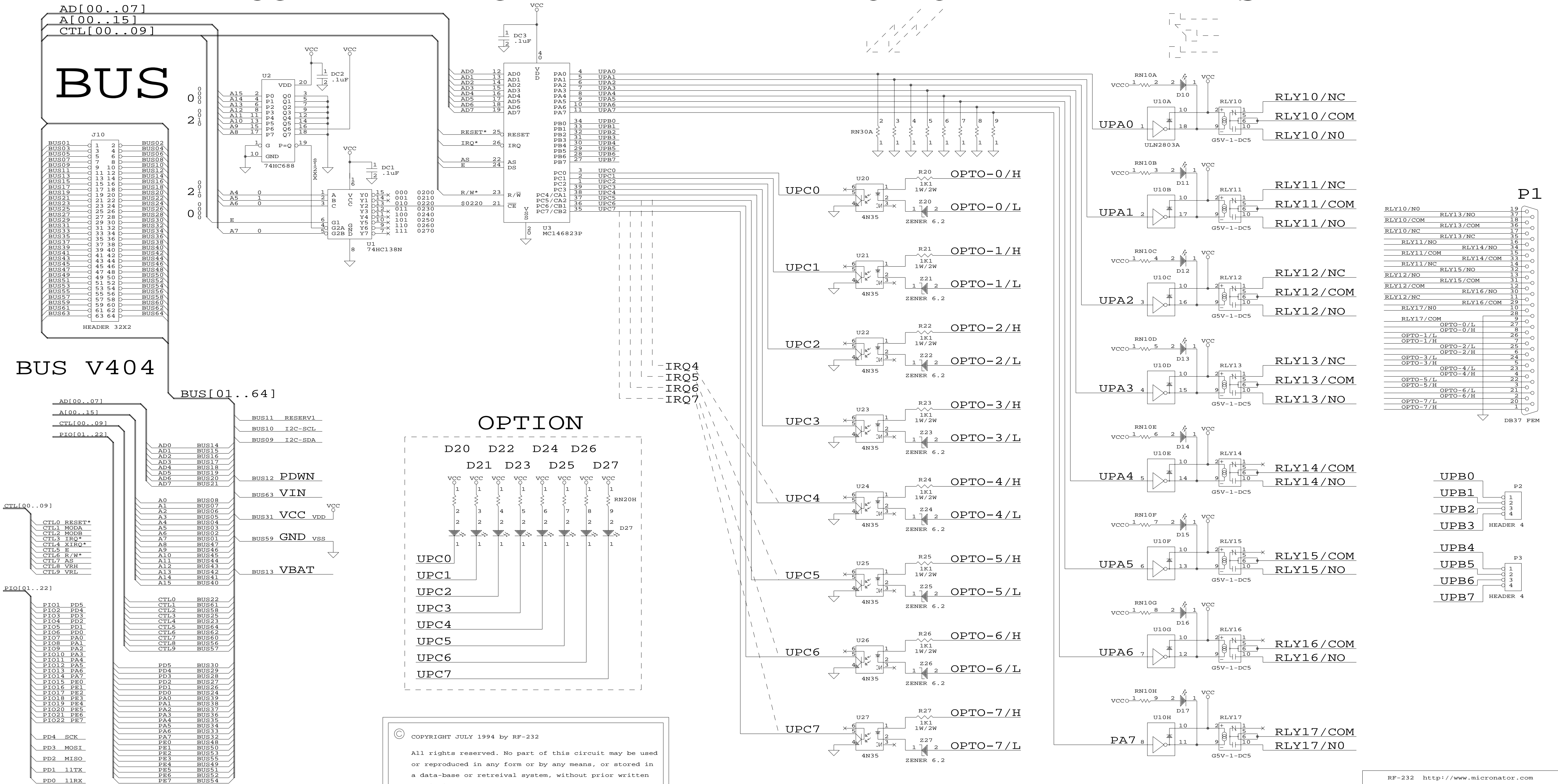
MC68HC11A1 USER DIGITAL INPUT / RELAYS OUTPUT v: 4.40a

REVISION			APROVED by
DATE	DESCRIPTION		
94 08 01	WIRE WRAPPED		M.-A. R.
94 08 17	CHANGE PORT-B FOR PORT-C		M.-A. R.
01 09 22	CHANGE BUS FROM VERSION 3.00 TO 4.04a		M.-A. R.

UCT INTERFACE

OPTO

RELAYS



© COPYRIGHT JULY 1994 by RF-232
 All rights reserved. No part of this circuit may be used or reproduced in any form or by any means, or stored in a data-base or retrieval system, without prior written permission of RF-232.
 TEL: (514)761-4201

RF-232 <http://www.micronator.com>
 1404, RUE GALT
 MONTREAL, QC H4E 1H9, CANADA
 TEL: (514) 761-4201
 EMAIL: michelandre@videotron.ca

Title: SYSTEME 68HC11-A1 OPTO-IN RLY-OUT
 Size/Document Number: ...U10\11A1U10.SCH REV 4.0
 Date: September 22, 2001 Sheet 1 of 1